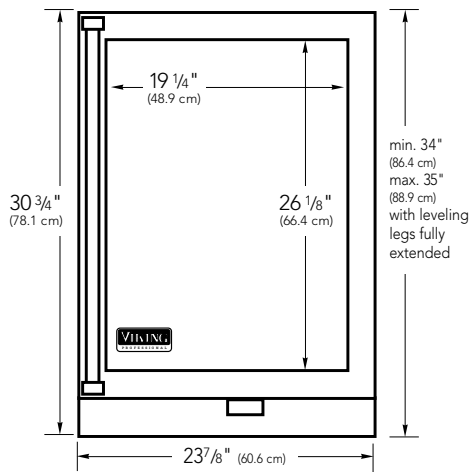


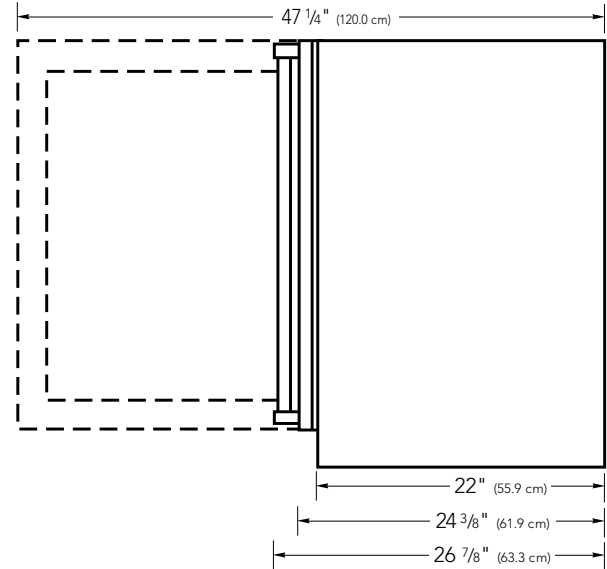
# VUAR 24" wide undercounter refrigeration products\*– dimensions

## Indoor and outdoor models

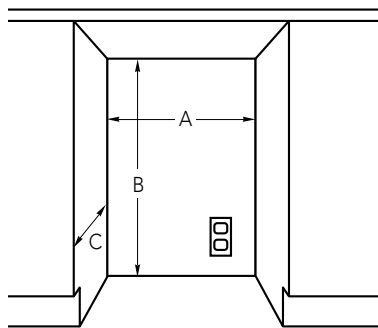
Front



Side



Undercounter cutout



UNDERCOUNTER CUTOUT	
<b>A</b>	24" (61.0 cm)*
<b>B</b>	Min. 34 <sup>1</sup> / <sub>8</sub> " (86.7 cm) Max. 35 <sup>1</sup> / <sub>8</sub> " (89.2 cm)
<b>C</b>	24" (61.0 cm)

\*24" (61.0 cm) width for cabinet only. If door is recessed between cabinets, cabinet cutout must be 24 <sup>1</sup>/<sub>4</sub>" (61.6 cm).

## Basic specifications

Description	UNDERCOUNTER REFRIGERATOR
	VUAR140/VUAR140T 24" wide
<b>Overall Width</b>	23 7/8" (60.6 cm)
<b>Overall Height from Bottom</b>	Min. 34" (86.4 cm) Max. 35" (88.9 cm) (legs fully extended)
<b>Overall Depth from Rear</b>	26 7/8" (63.3 cm) (to end of handle bracket)
<b>Cutout Width</b>	24" (61.0 cm)*
<b>Cutout Height</b>	Min. 34 1/8" (86.7 cm) Max. 35 1/8" (89.2 cm)
<b>Cutout Depth</b>	24" (61.0 cm)
<b>Electrical Requirements</b>	115VAC/60Hz
<b>Maximum Amp Usage</b>	3.3 amps
<b>Maximum Storage Capacity</b>	6.1 cu. ft.
<b>Approximate Shipping Weight</b>	140 lb. (63.0 kg)

\* 24" (61.0 cm) width for cabinet only. If door is recessed between cabinets, cabinet cutout must be 24 1/4" (61.6 cm).