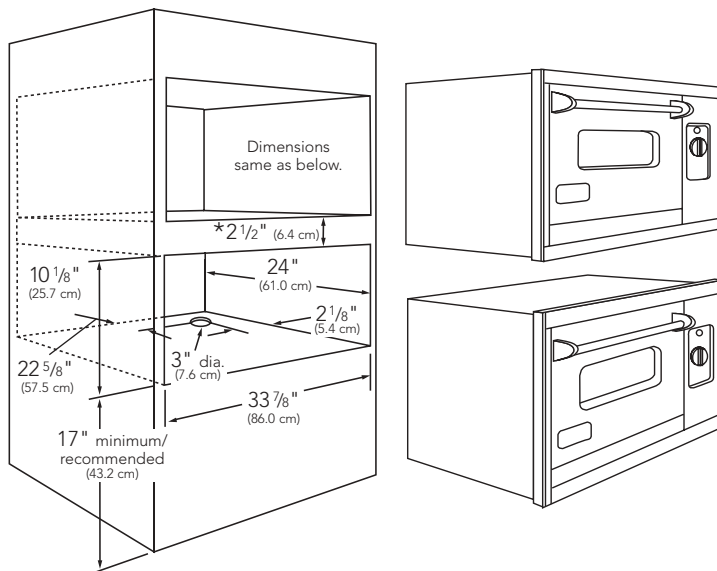
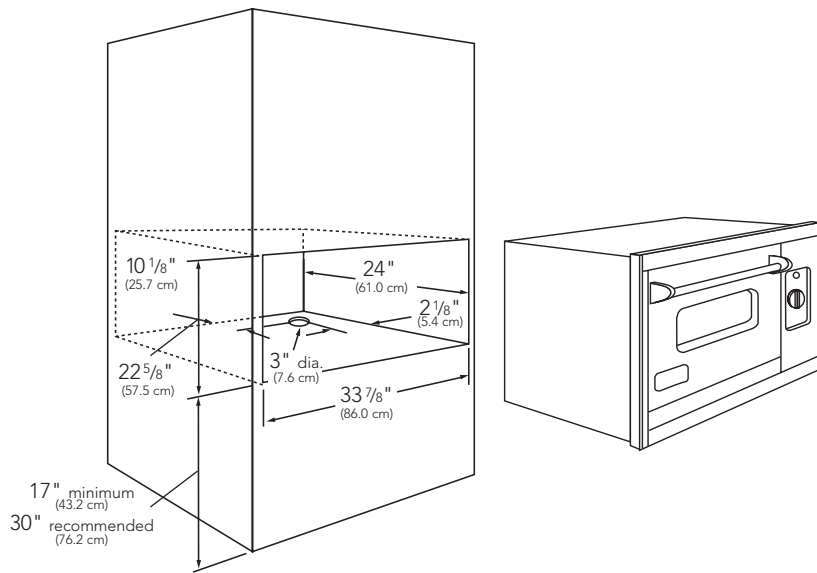


VGSO gas 36" wide single oven – dimensions



Notes

- For double side-by-side installation, repeat single cutout with 1 1/2" (3.8 cm) minimum between openings.

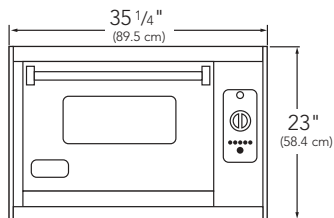
- If preferred, order stainless steel center trim (DCT-VGSO-SS)

- Use installation kit (IKD-VGSO)

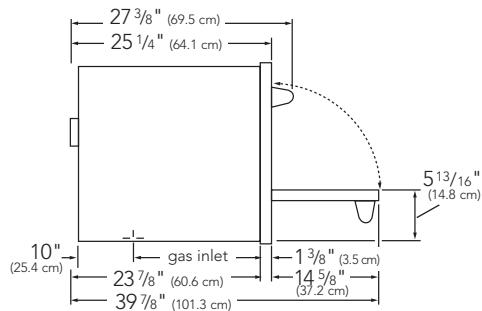
- The grounded electrical receptacle(s) should be placed above or below the cutout(s).

- Do not install so that any oven vent (top grill of oven) is located below 36" (91.4 cm) from floor.

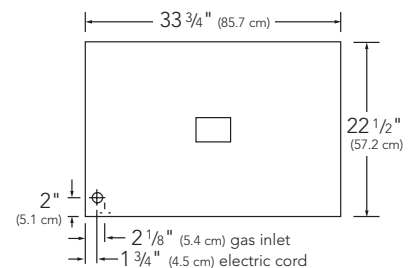
Front



Side



Rear



Basic specifications

Description	VGSO GAS 36" WIDE SINGLE OVEN
	VGSO166
Overall Width	35 1/4" (89.5 cm)
Overall Height from Bottom	23" (58.4 cm)
Overall Depth from Rear	To edge of trim – 25 1/4" (64.1 cm), to end of handle bracket – 27 3/8" (69.5 cm), with door open – 39 7/8" (101.3 cm)
Cutout Width	33 7/8" (86.0 cm)
Cutout Height	22 5/8" (57.5 cm)
Cutout Depth	Minimum 24" (61.0 cm); unit extends into cutout 23 7/8" (60.6 cm)
Cutout Height from Floor	Single – 17" (43.2 cm) minimum; 30" (76.2 cm) recommended Double with two cutouts – 17" (43.2 cm) minimum/recommended
Gas Requirements	Shipped natural gas standard; field convert to LP/Propane with standard convertible regulator; accepts standard residential 1/2" (1.3 cm) ID gas service line
Electrical Requirements	120VAC/60Hz; 4 ft. (121.9 cm), 3-wire cord with grounded 3-prong plug attached to product
Maximum Amp Usage	8.0 amps
Bake Rating	Two 15,000 BTU ea. NAT./LP (Two 4.4 kW ea. NAT./LP)
Broil Rating	Infrared Burner; 18,000 BTU NAT./17,500 BTU LP (5.3 kW NAT./4.4 kW LP)
Oven Interior Dimensions	Width – 24 1/8" (61.3 cm) Height – 13 3/4" (34.9 cm) Depth – 17 1/8" (43.5 cm) Overall Size – 3.3 cu. ft. Three racks, four rack positions
Approximate Shipping Weight	257 lb. (115.7 kg)