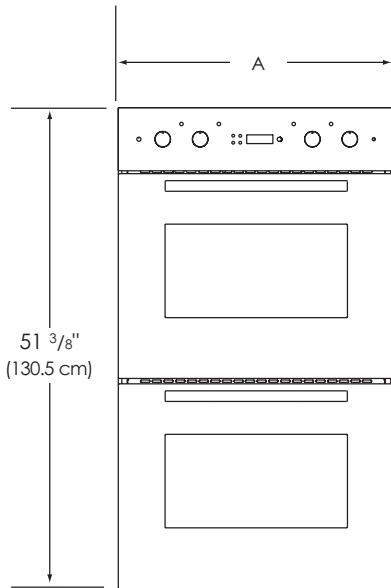
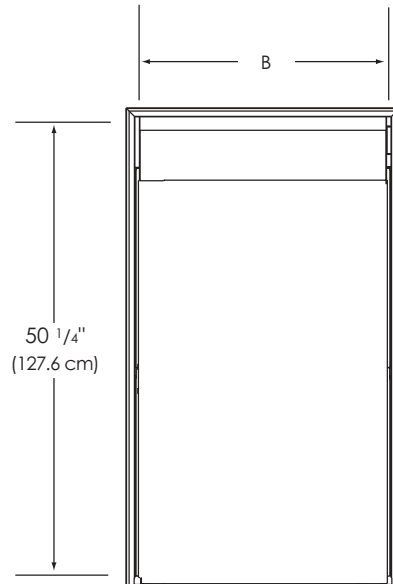


DOUBLE OVENS – DIMENSIONS

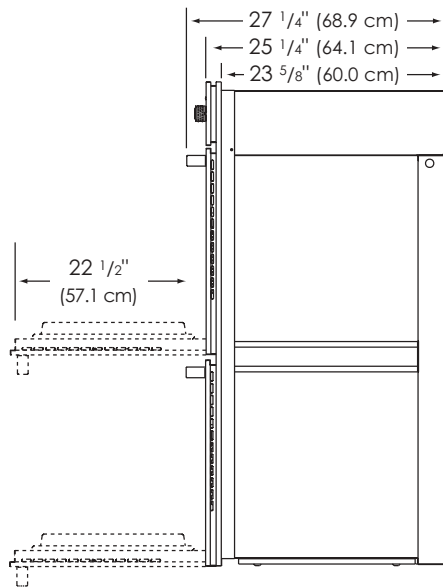
Front



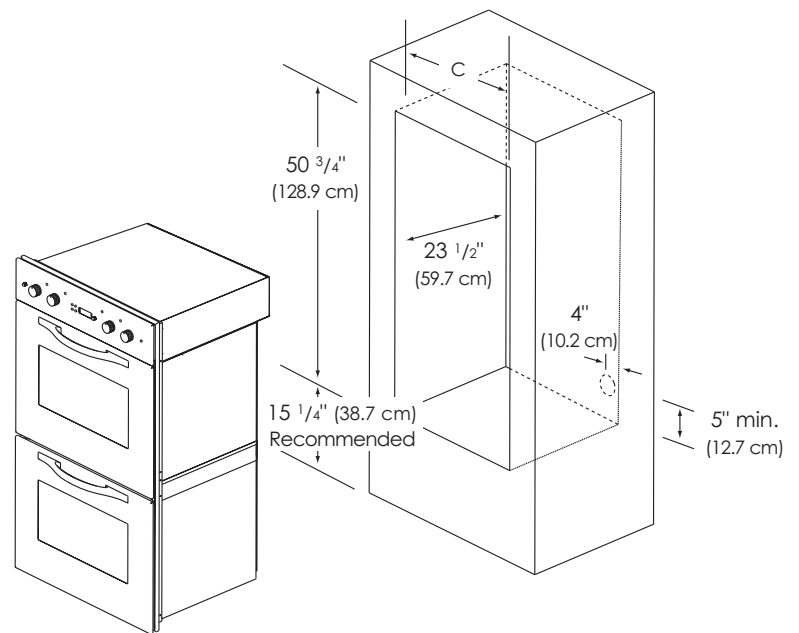
Rear



Side



Wall cutout



| DOUBLE OVENS | | |
|--------------|-------------------|-------------------|
| | DEDO270/275 | DEDO200/205 |
| A | 26 1/2" (67.3 cm) | 29 1/2" (74.9 cm) |
| B | 24 3/4" (62.9 cm) | 27 3/4" (70.5 cm) |
| C | 25" (63.5 cm) | 28" (71.1 cm) |

BASIC SPECIFICATIONS

| DESCRIPTION | DEDO270/275 | DEDO200/205 |
|------------------------------------|---|---|
| | 27" wide double | 30" wide double |
| Overall Width | 26 1/2" (67.3 cm) | 29 1/2" (24.9 cm) |
| Overall Height from Bottom | 51 3/8" (130.5 cm) | |
| Overall Depth from Rear | To front edge of door – 25 1/4" (64.1 cm) To front of handle – 27 1/4" (68.9 cm) | |
| Cutout Width | 25" (63.5 cm) | 28" (71.1 cm) |
| Cutout Height | 50 3/4" (128.9 cm) | |
| Cutout Depth | 23 1/2" (59.7 cm) | |
| Electrical Requirements | 4-wire with ground 240-208/120VAC/60Hz, 40-amp electrical connection. Unit is equipped with no. 10 ground wire in conduit. Should be fused separately. | |
| Maximum Amp Usage | 240V – 33.4 amps; 208V – 29.0 amps | |
| Bake Rate | 240V – 2,935 watts; 208V – 2,205 watts (includes supplemental power from broil element) | |
| Broil Rate | Maxi-Broil – 8-pass: 240V – 3,000 watts, 208V – 2,250 watts Mini-Broil – 8-pass: 240V – 1,250 watts, 208V – 940 watts | |
| Convection Cook Rating | 240V – 2,200 watts; 208V – 1,650 watts (upper oven only on double ovens) | |
| Interior Dimensions | <p>Upper Oven: Width – 20" (50.8 cm) Height – 16 1/8" (41.0 cm) Depth – 15 3/8" (39.1 cm) Overall Size – 2.8 cu. ft. Three racks, six rack positions</p> <p>Lower Oven: Width – 20" (50.8 cm) Height – 16 1/8" (41.0 cm) Depth – 16 3/4" (42.5 cm) Overall Size – 3.0 cu. ft. Two racks, six rack positions</p> | <p>Upper Oven: Width – 23" (58.4 cm) Height – 16 1/8" (41.0 cm) Depth – 15 3/8" (39.1 cm) Overall Size – 3.3 cu. ft. Three racks, six rack positions</p> <p>Lower Oven: Width – 23" (58.4 cm) Height – 16 1/8" (41.0 cm) Depth – 16 3/4" (42.5 cm) Overall Size – 3.6 cu. ft. Two racks, six rack positions</p> |
| Approximate Shipping Weight | 360 lb. (162.0 kg) | 402 lb. (180.9 kg) |