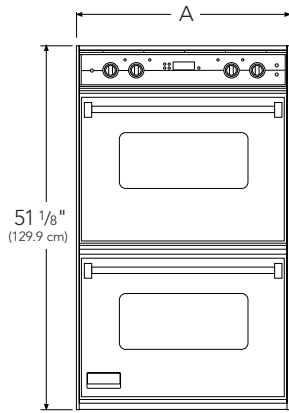
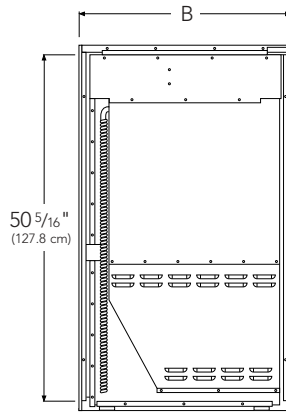


VEDO electric 27" and 30" wide double ovens – dimensions

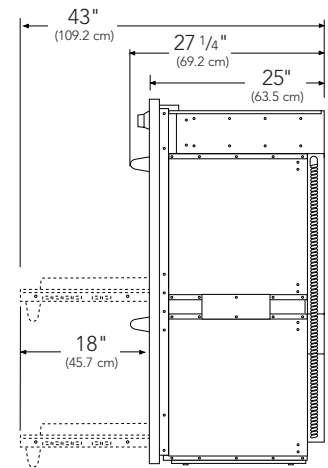
Double oven – front



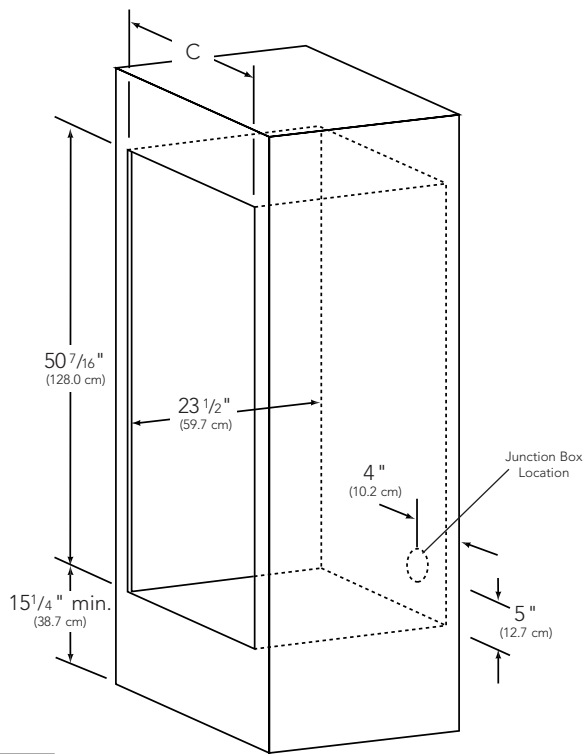
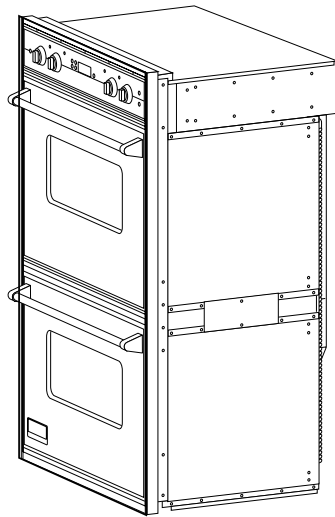
Double oven – rear



Double oven – side



Double oven – wall



OVENS		
	VEDO276	VEDO205
A	26 1/2" (67.3 cm)	29 1/2" (74.9 cm)
B	24 7/8" (63.2 cm)	27 7/8" (70.8 cm)
C	25" (63.5 cm)	28" (71.1 cm)

Basic specifications

Description	VEDO ELECTRIC 27" AND 30" WIDE OVENS	
	VEDO276 double	VEDO205 double
Overall Width	26 1/2" (67.3 cm)	29 1/2" (74.9 cm)
Overall Height from Bottom	51 1/8" (129.9 cm)	
Overall Depth from Rear	To edge of trim – 25" (63.5 cm), to end of handle bracket – 27 1/4" (69.2 cm), with door open – 43" (109.2 cm)	
Cutout Width	25" (63.5 cm)	28" (71.1 cm)
Cutout Height	50 7/16" (128.0 cm)	
Cutout Depth	23 1/2" (59.7 cm)	
Cutout Height from Floor	15 1/4" (38.7 cm) minimum/recommended	
Electrical Requirements	4-wire with ground 240-208/120VAC/60Hz, 40-amp electrical connection. Unit is equipped with no. 10 ground wire in conduit. Should be fused separately.	
Maximum Amp Usage	240V – 33.4 amps; 208V – 29.0 amps	
Bake Rating	240V – 2,935 watts; 208V – 2,205 watts (includes supplemental power from broil element)	
Broil Rating	Maxi-Broil – 8-pass: 240V – 3,000 watts, 208V – 2,250 watts Mini-Broil – 4-pass: 240V – 1,250 watts, 208V – 940 watts	
Convection Cook Rating	240V – 2,200 watts; 208V – 1,650 watts	
Oven Interior Dimensions	Applies to both ovens Width – 20" (50.8 cm) Height – 16 1/8" (41.0 cm) Depth – 15 3/8" (39.1 cm) Overall Size – 2.8 cu. ft. Three racks, six rack positions	Applies to both ovens Width – 23" (58.4 cm) Height – 16 1/8" (41.0 cm) Depth – 15 3/8" (39.1 cm) Overall Size – 3.3 cu. ft. Three racks, six rack positions
Approximate Shipping Weight	360 lb. (163.2 kg)	402 lb. (181.0 kg)