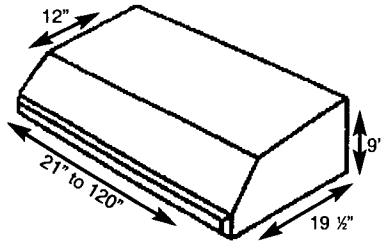


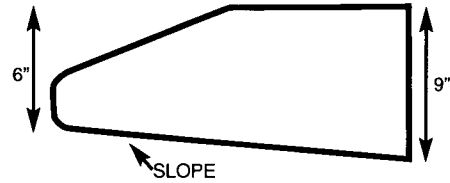
Vent Hood SPECIFICATION SHEET

MODELS: SL6, SLH6 Emerald

SL6/SLH6 Emerald

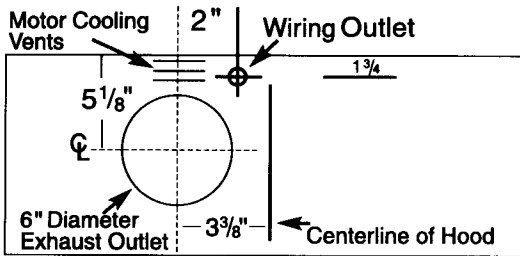


SIDE VIEW - SLH6 Emerald Lip

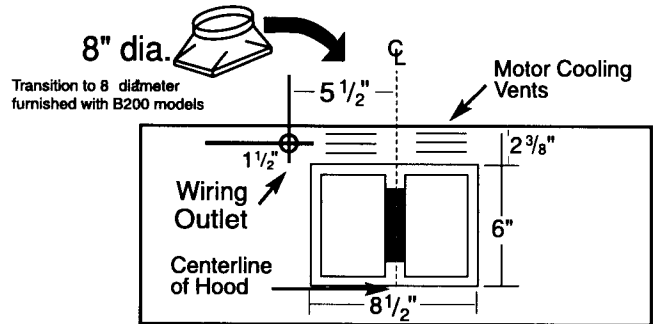


Model WL-1 Warming lights are available on selected models.

TOP VIEW - B100 Single Blower Location



TOP VIEW - B200 Dual Blower Location



ELECTRICAL/MECHANICAL SPECIFICATIONS FOR BLOWER UNITS

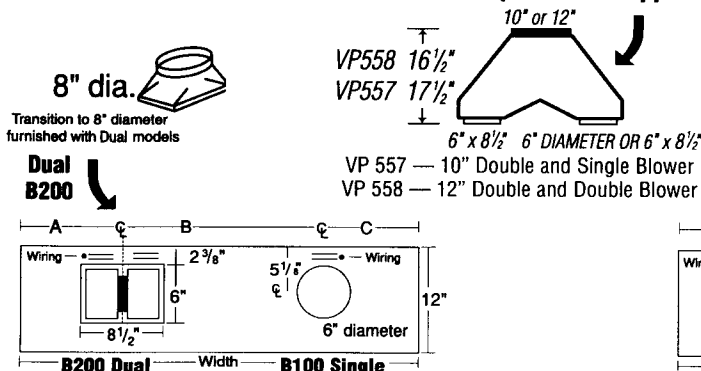
Model	Motor	Type	Volts	Amps	HZ	RPM	CFM SP@0"	Equivalent* CFM	CFM SP@0.1"	CFM SP@0.2"	CFM SP@0.3"	Minimum Round Duct Size	Square Inches
B-100 Single	1/25	Shaded Pole	115	1.7•	60	1550	300	450*	286	270	240	6" (or equivalent)	28
B-200 Dual	(2) 1/25	(2) Shaded Pole	115	3.4•	60	1550	600	900	572	540	480	8" (or equivalent)	50

• Note: Add 2.5 amps for each warming light and 1.0 additional amp for each halogen bulb. Equivalent CFM explained in the checklist on page 12 of literature.

Lighting: 1 fluorescent light furnished with each Single or Dual Blower.

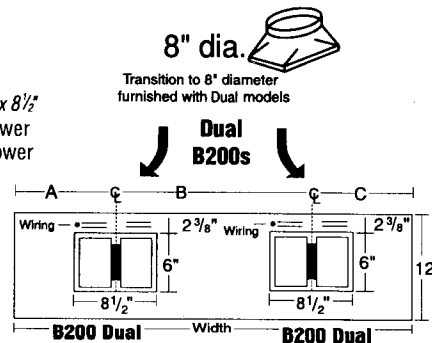
Halogen lights - 24" to 41" - 2 lights, 42" to 53" - 3 lights, 54" to 66" - 4 lights, 66" + 1 light for each 16" of width.

EP Transition — Available for Multiple Blower Application at Additional Charge



Top View — Single and Dual Blower

Blowers are spaced 14 5/8" center to center on the top of the hood. To find the centerlines of each duct opening, find the center of the top of the hood, and measure 7 5/16" to the left, and 7 5/16" to the right. Only available on hoods 42" wide or wider.



Top View — Two Dual Blowers

Blowers are spaced 22" center to center on the top of the hood. To find the centerlines of each duct opening, find the center of the top of the hood, and measure 11" to the left, and 11" to the right. Only available on hoods 48" wide or wider.

