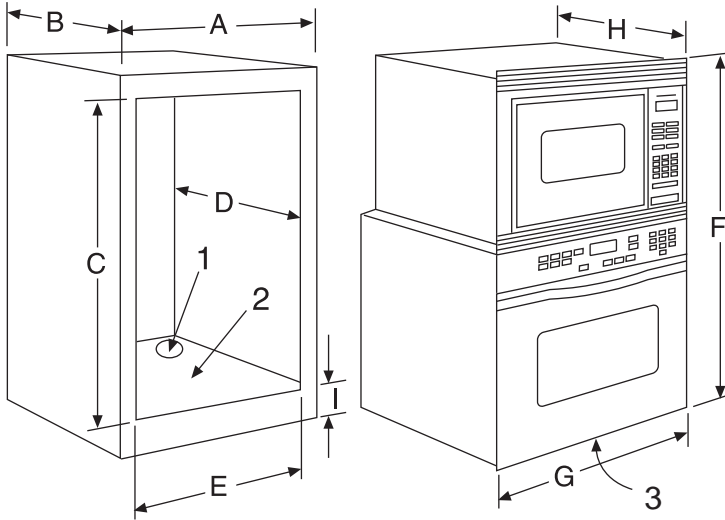


30"

MICROWAVE/WALL OVEN COMBO



Dimensions

■	Inches	Centimeters
A	30 minimum	76.2 minimum
B	24 minimum	61.0 minimum
C	51 7/8± 1/16	131.8± .2
D	24 minimum	61.0 minimum
E	28 1/2± 1/16	72.4± .2
F	52 15/16	134.5
G	29 3/4	75.6
H	25 7/16	64.6
I	4 - 10	10.2 - 25.4

Notes:

1. 1 1/4" diameter conduit access hole (hole must be cut as close to corner of cabinet as possible).
2. 5/8" plywood floor (must support 275 lbs.)
3. Do not block air intake slots along bottom of oven.

Electrical Requirements: Provide for 120/240 or 120/208 VAC, 60 Hz. See serial plate on front of unit for power requirements.

Important: Because of continuing product improvements, Jenn-Air reserves the right to change specifications without notice. Dimensional specifications are provided for planning purposes only. For complete details see installation instructions that accompany each product before selecting cabinetry, making cutouts or beginning installation.