

# INSTALLATION INSTRUCTIONS

# 30" Under Counter Wall Oven



403 WEST FOURTH STREET, NORTH  
NEWTON, IA 50208

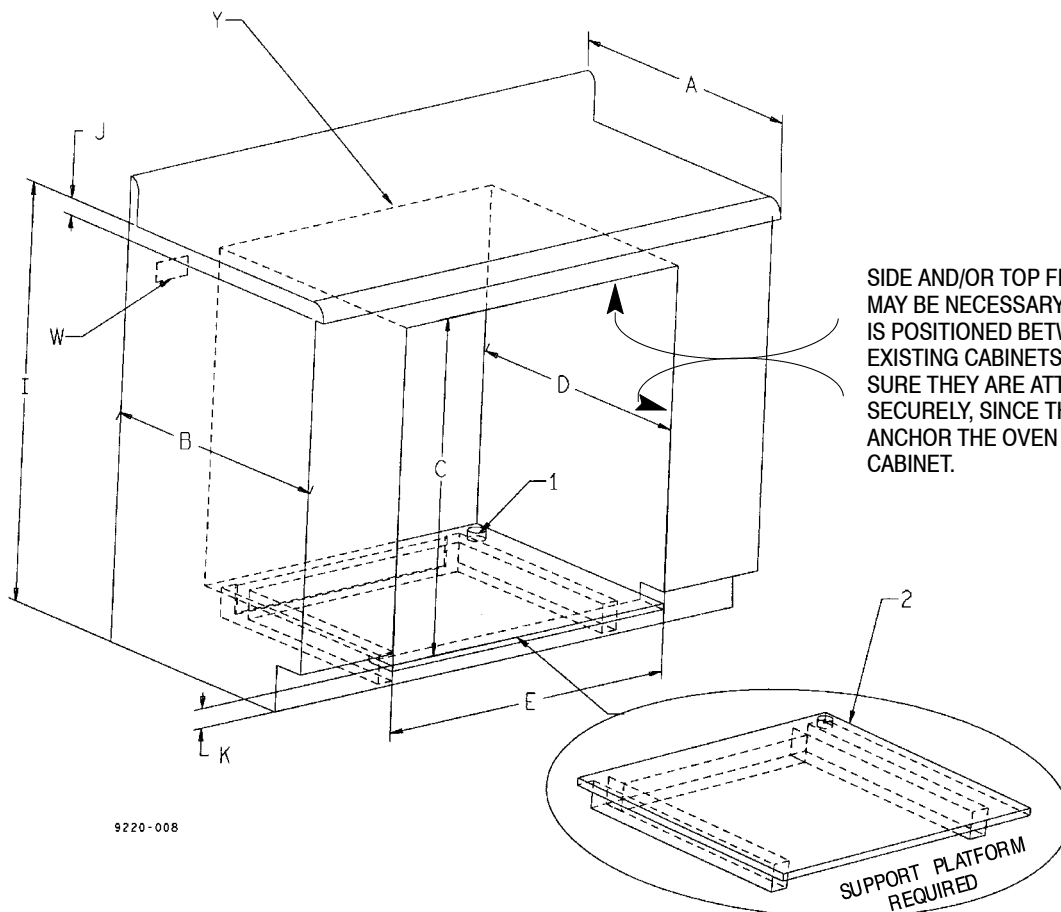
30" WALL OVEN UNDER COUNTER		
1	1-1/4" Dia. Conduit Access Hole*	
2	5/8" Plywood Floor (Must Support 200 lbs.) See next page for Support Platform Construction	
DIMENSIONS		
	inches	cm
A	25	63.50
B	24 MIN	60.96
C	29-1/16 ± 1/16	73.82
D	24 MIN	60.96
E	28-1/2	72.39
I	36	91.44
J	1-1/2	3.81

30" WALL OVEN		
	inches	cm
K	3 MAX	6.62 MAX

NOTES	
Z	Do not block air exhaust slots along bottom of oven.
Y	Gas or electric cooktops may be installed over ovens.** See cooktop installation instructions for cutout size.
W	Electrical connection for electric cooktop must in adjacent accessible location. Cook top and wall oven must be on separate 120/240 or 120/208 volt 60 Hz AC circuits.

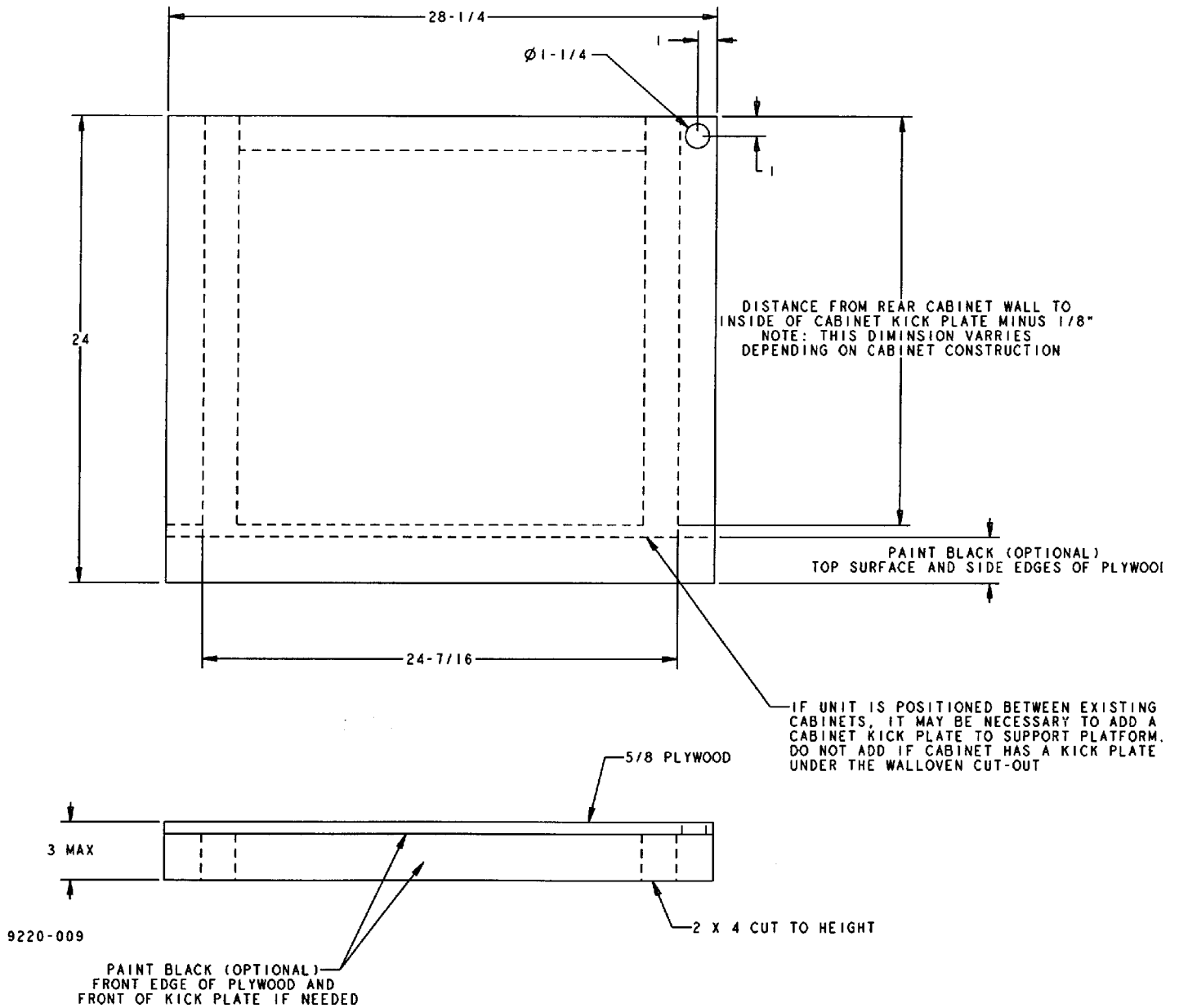
**NOTE:** \* Hole must be cut as close to corner of cabinet as possible.

\*\* See dealer for approved cooktops.



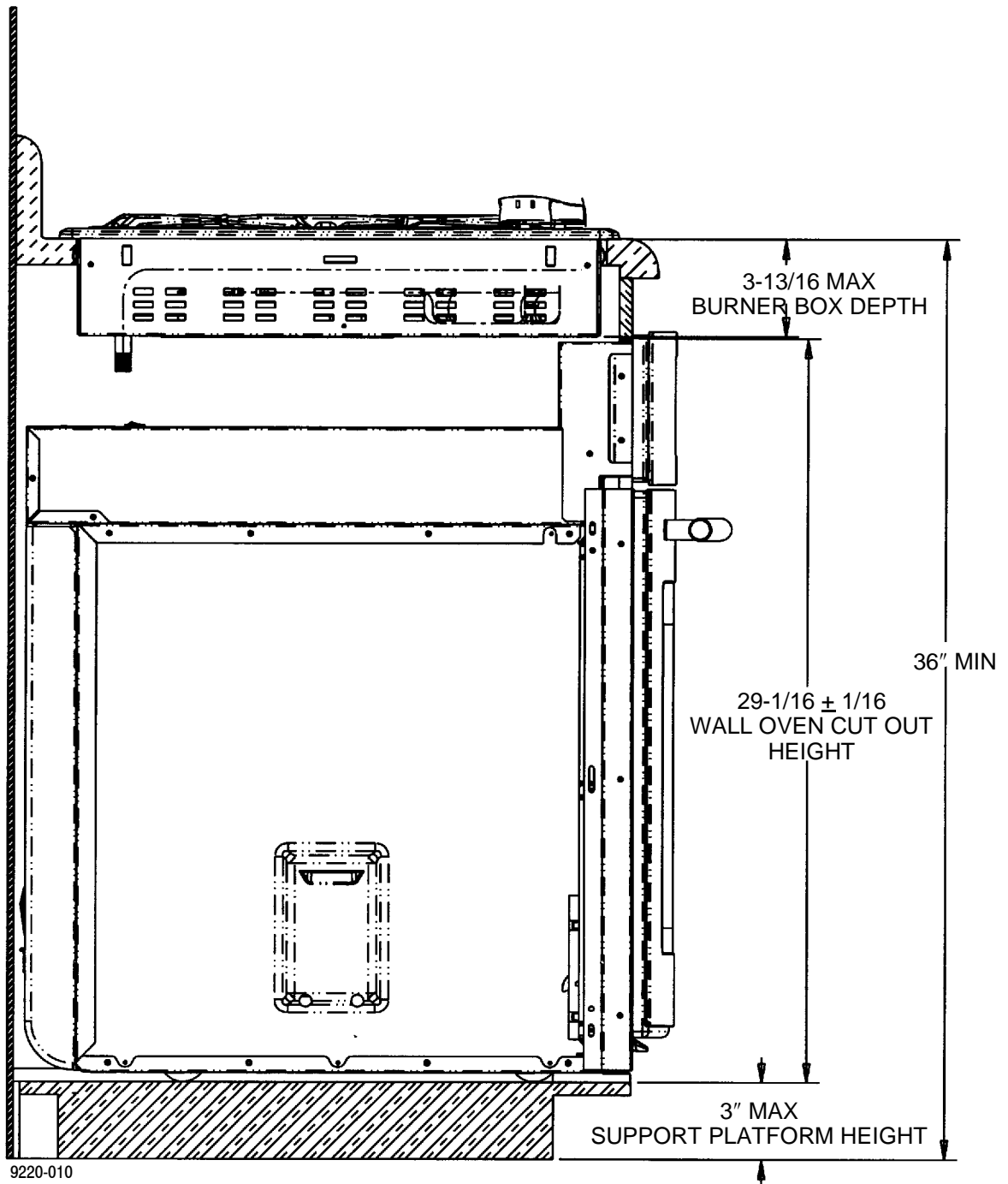
9220-008

8112P248-60  
(11-03-00)



## Support Platform 30" Under Counter Wall Oven

**COOKTOP SHOWN FOR REFERENCE ONLY.  
SEE COOKTOP INSTALLATION INSTRUCTIONS FOR CUTOUT SIZE.**



**30" Under Counter Wall Oven  
with Cooktop**