



THE SIGN OF A GREAT COOK®

www.jennair.com

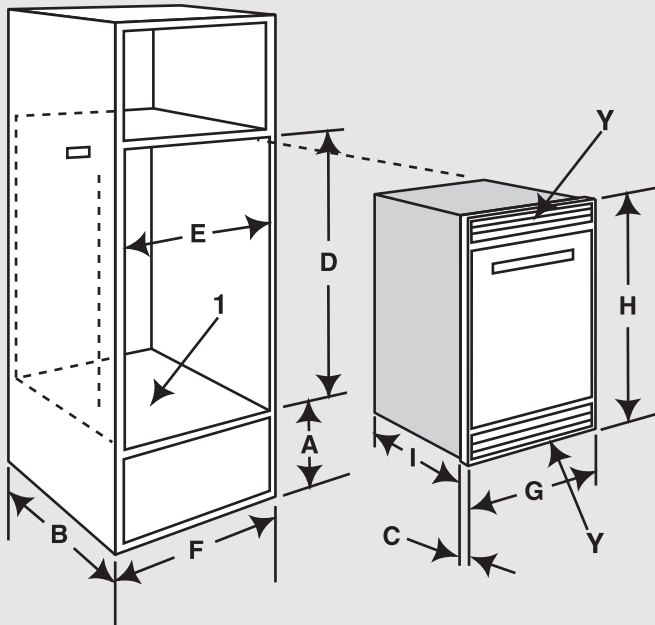
30"

# GAS WALL OVEN

JGW9130, JGW8130

## Dimensions

■	Inches	Centimeters
A	12 minimum	30.5 minimum
B	24	61.0
C	5/16	0.8
D	33 3/4	85.7
E	30 1/8	76.5
F	33 minimum	83.8 minimum
G	30 7/8	78.4
H	34	86.4
I	23 3/4	60.3



### Notes:

- 1. Complete floor is recommended to prevent unusual drafts.
- Y. Do not obstruct oven vent.

These appliances have been designed in accordance with the requirements of various safety agencies and comply with the maximum allowable wood cabinet temperatures of 194 degrees F. If these appliances are installed with cabinets that have a lower working temperature than 194 degrees F, discoloration, delamination or melting may occur.

**Important:** Because of continuing product improvements, Jenn-Air reserves the right to change specifications without notice. Dimensional specifications are provided for planning purposes only. For complete details see installation instructions that accompany each product before selecting cabinetry, making cutouts or beginning installation.