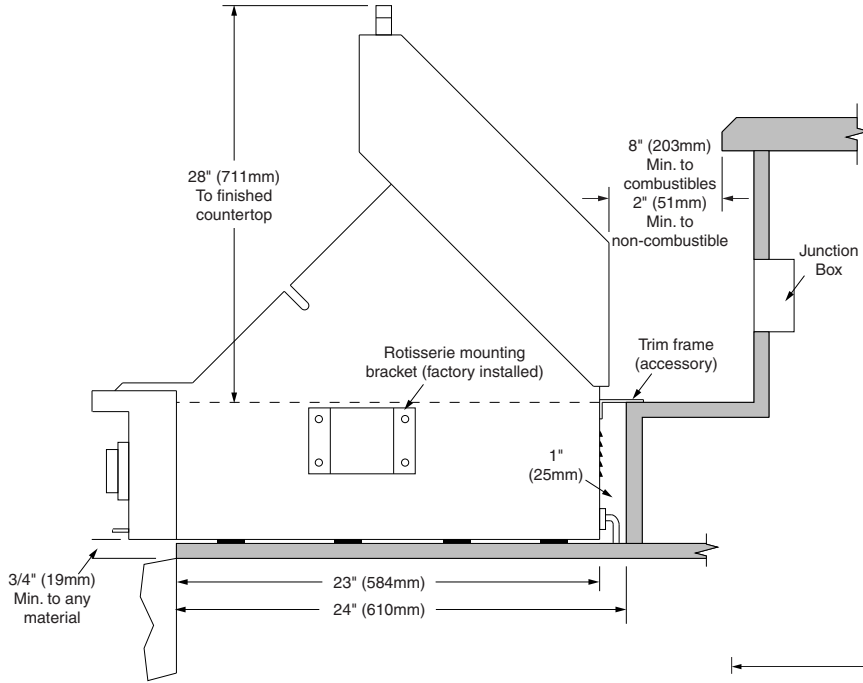




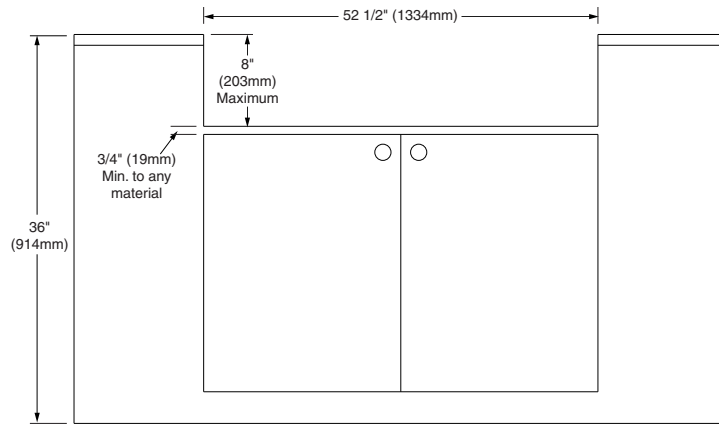
*Epicure*TM

52" Wide, Outdoor Grill Specifications

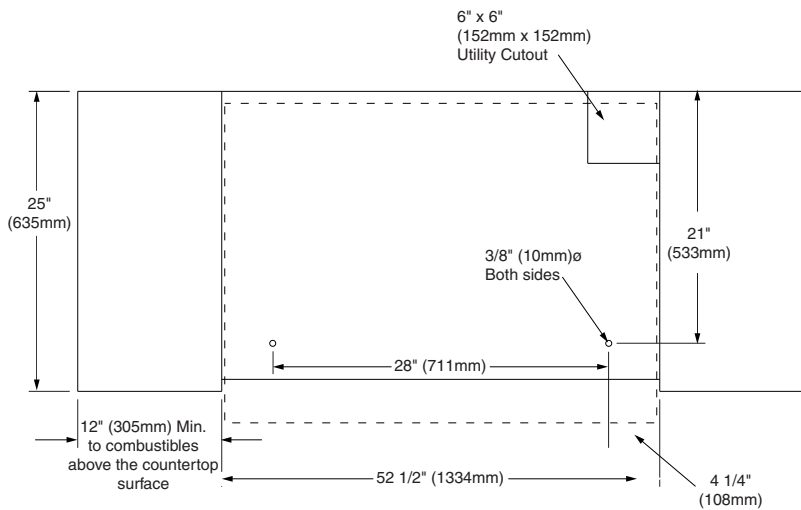
EOG52



**Cutout Dimensions
Side View**



**Cutout Dimensions
Front View**



**Cutout Dimensions
Top View**

PLANNING GUIDE



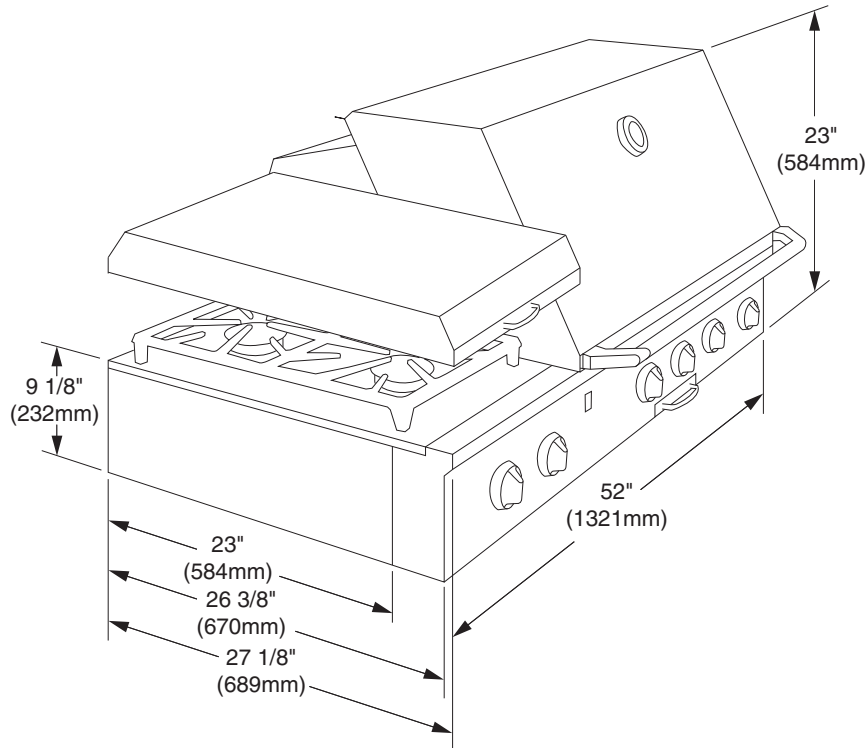
Specifications are subject to change without notice.
See installation instructions for additional details.

Dacor[®]
www.dacor.com
Corporate Phone: 800-793-0093
Planning Faxback: 800-793-0093 ext. 3806



Epicure[™]

52" Wide, Outdoor Grill
Specifications



Overall Dimensions

EOG52

PLANNING GUIDE

12.4

SPECIFICATIONS	MEASUREMENTS
Overall Grill Width	52" (1321mm)
Overall Grill Height	23" (584mm)
Overall Grill Depth	27 1/8" (689mm) from bullnose to chassis rear.
Gas Supply Requirements (1/2" Supply OK)	3/4" Regulator - Natural Gas standard Factory Installed Liquid Propane (LP) special ordered
Electrical Supply Requirements	120VAC, 60Hz, 15A Dedicated Circuit Grill is supplied with a 48" (1219mm) power cord with a three prong grounded plug.
Total Connected Load	0.35kW (2.9A)
Approximate Shipping Weight	250 pounds



Specifications are subject to change without notice.
See installation instructions for additional details.

Dacor[®]
www.dacor.com
Corporate Phone: 800-793-0093
Planning Faxback: 800-793-0093 ext. 3806