



The life of the kitchen™

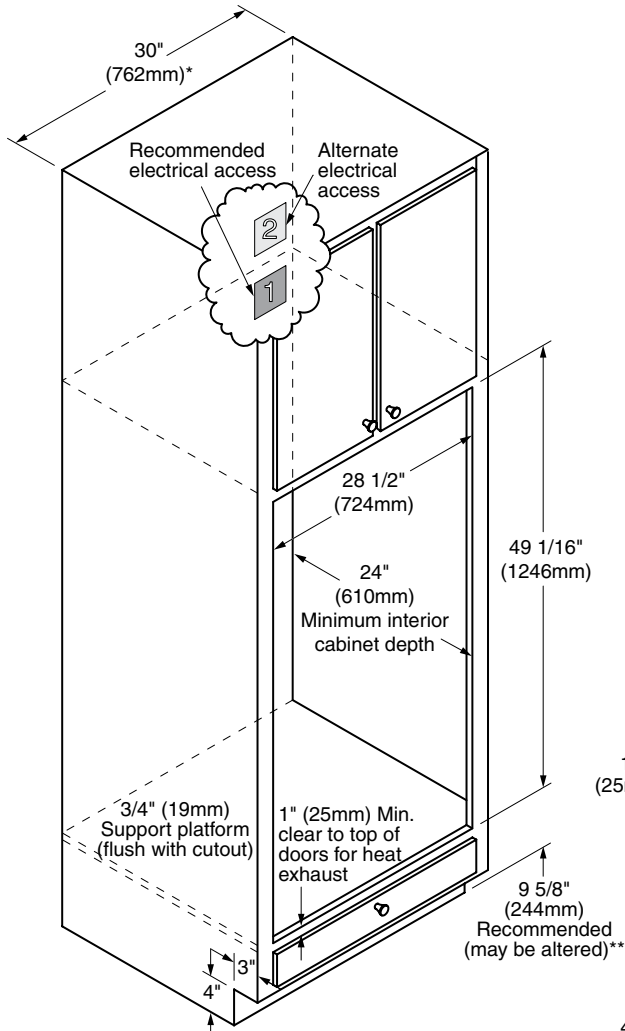
ECS230, PCS230, MCS230
ECD230, PCD230, MCD230

PLANNING GUIDE

1.7

30" Wide, Double, Electric Wall Oven Specifications

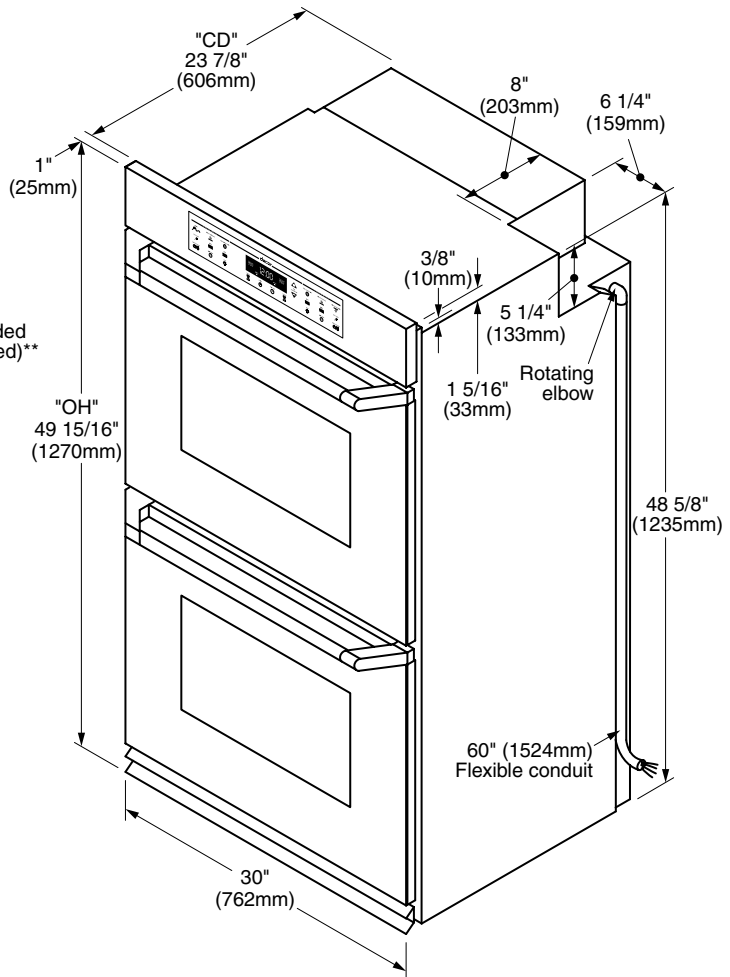
Electrical junction box may be located:
 1. In the upper right corner of the cutout.
 (See Overall Dimensions below)
 2. Above the oven cutout, to the right.



CUTOUT DIMENSIONS

*Maintain a minimum clearance to adjacent cabinet doors/drawers of 1/8" (3mm).

**Positions the open door approximately 36" (914mm) above the floor (Typical counter height).



OVERALL DIMENSIONS (ECD230 Shown)



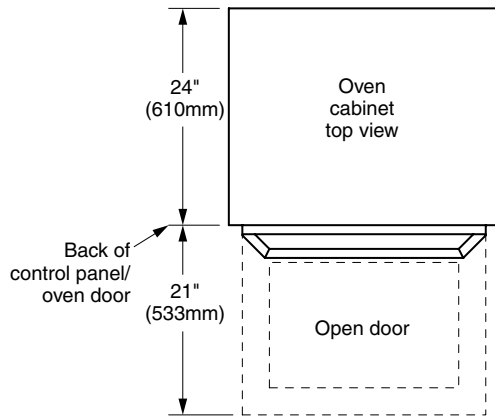
Specifications are subject to change without notice. See installation instructions for additional details.

Dacor®
 www.dacor.com
 Corporate Phone: 800-793-0093
 Planning Faxback: 800-793-0093 ext. 3806

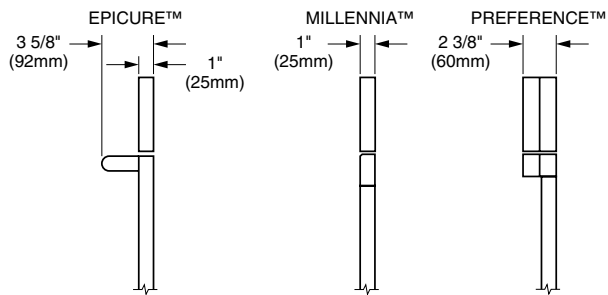


The life of the kitchen™

30" Wide, Double, Electric Wall Oven Specifications



TOP VIEW
(ECD230 Shown)



OVEN HANDLE DIMENSIONS

**ECS230, PCS230, MCS230
ECD230, PCD230, MCD230**

P L A N N I N G G U I D E 1.8

SPECIFICATIONS	MEASUREMENTS
Overall Oven Width	30" (762mm)
Overall Oven Height (OH)	49 15/16" (1270mm)
Oven Chassis Depth (CD)	23 7/8" (605mm) from back of control panel
Inside Oven Cell	24"w (605mm) x 15"h (381mm) x 18 1/2"d (470mm)
Cabinet Cutout Width	28 1/2" (724mm)
Cabinet Cutout Height	49 1/16" (1246mm)
Minimum Interior Cabinet Depth	24" (610mm)
Minimum Cabinet Width	30" (762mm)*
Oven Overlays Cabinet Cutout	3/4" (19mm) Each side; 13/16" (21mm) Top, 1/16" (1mm) Bottom
Electrical Supply Requirements	240VAC 4-wire, 60Hz, 40A Dedicated Circuit
Total Connected Load	8.1kW (34A)
Approximate Shipping Weight	337 pounds
Note	*Maintain a minimum clearance to adjacent cabinet doors/drawers of 1/8" (3mm).



Specifications are subject to change without notice. See installation instructions for additional details.

Dacor®
www.dacor.com
Corporate Phone: 800-793-0093
Planning Faxback: 800-793-0093 ext. 3806