

26" BGA SERIES GRILL

26" BGA grill with optional Stainless Steel Grill Cart and side shelf (as shown) | BGA26-BQ



DCS OUTDOOR GRILLS ARE SIMPLY THE MOST ADVANCED GRILLING SYSTEM AVAILABLE. AT DCS WE COMBINE THE LATEST GRILLING TECHNOLOGY AND INNOVATION TO DELIVER THE ULTIMATE IN OUTDOOR COOKING PERFORMANCE AND CONTROL. EVERY DCS GRILL IS HANDCRAFTED AND CONSTRUCTED ENTIRELY OF HEAVY GAUGE TYPE 304 STAINLESS STEEL.

BATTERY IGNITION: 9-volt battery ignition for safe and efficient grill lighting every time.

LARGE GRILLING AREA: 616 sq. in total cooking area (460 sq. in primary, 156 sq. in secondary).

BTU RATING: Delivers up to 33,000 Btu's (16,500 Btu's per burner).

STAINLESS STEEL BURNERS: Precision ported, U-shaped stainless steel burners.

GRILLING GRATES: Heavy gauge type 304 stainless steel rods.

RADIANTS: Stainless steel radiant baffle for maximum heat output and even distribution.

DESIGNER METAL KNOBS: Satin metal finish with ergonomic inserts.

REMOVABLE WARMING RACK: Perfect for keeping your food warm.

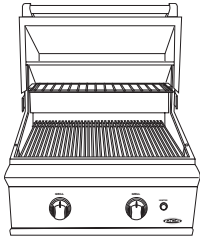
LIFETIME WARRANTY: Covers all stainless steel components including burners. Please see product use and care manual for warranty details.

Optional Stainless Steel Grill Cart: Equipped with a fixed side shelf, two locking swivel casters and two heavy-duty fixed casters.



PERFECT HEAT.™

Configuration:



BGA26-BQ

MODEL NUMBER	BGA26-BQ
TOTAL GRILLING AREA*	616 sq. in
GRILL BURNERS	2 @ 16,500 Btu/hr
GRILL GRATES	Stainless Steel
SHIPPING WEIGHT (GRILL HEAD)	127 lbs.
SHIPPING WEIGHT (OPTIONAL CART)	67 lbs.

* 460 sq.in primary, 156 sq.in secondary.

Power Requirements:

120V 60Hz for models with Rotisserie Motor.

Ordering Data:

Please specify gas type (natural or propane) when ordering.

Gas Requirements:

- NATURAL**
- ▶ 1/2" NPT male with a 3/8" flare adaptor
 - ▶ Operational Pressure: 4.0" W.C.
- PROPANE**
- ▶ 1/2" NPT male with a 3/8" flare adaptor
 - ▶ LP hose with a quick disconnect & fitting are included
 - ▶ Operational Pressure: 11" W.C.

Island Ventilation Requirements:

It is recommended that adequate ventilation holes are provided in the base of an enclosure in the event of a gas leak.

Grill Placement:

DO NOT build grill under overhead unprotected combustible construction. Use only in well ventilated areas. These units are for Outdoor use only.

Conversion Kits:

NG to LP and LP to NG conversion kits are available from your dealer.

Recommended Accessories

- ▶ Stainless Steel Grill Cart
- ▶ Additional Side Shelf (Cart models only)
- ▶ Rotisserie Kit
- ▶ Single or Double side-burners for built-in application
- ▶ Stainless Steel Access Doors for built-in application
- ▶ Insulated Jacket for built-in application
- ▶ DCS exclusive 5-piece stainless steel Grilling Tool Set
- ▶ Drop-on Griddle Plate
- ▶ Vinyl Grill Cover

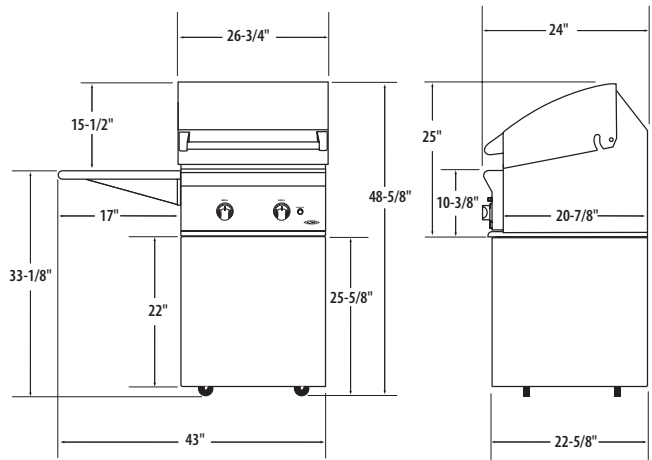
Warranty

All Grills are covered by a one (1) year comprehensive parts and labor warranty. In addition, a five (5) year limited parts warranty covers specific parts that vary by model. Please see the product Use and Care Manual for the specified parts covered under this warranty. A lifetime warranty covers all stainless steel components against manufacture related defects. This excludes discoloration or surface corrosion resulting from improper use and care. Please refer to product use and care manual for proper care and maintenance.

Because of continuing product improvement these specifications are subject to change without notice.



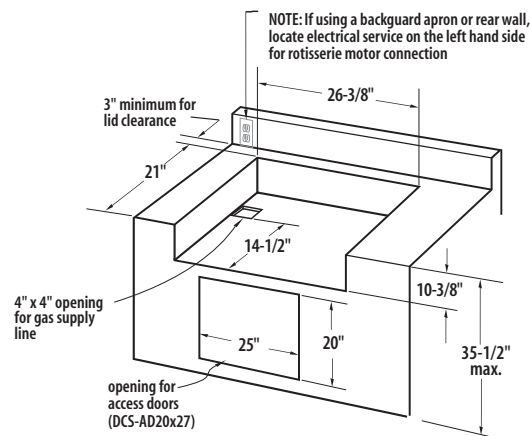
Product Dimensions:



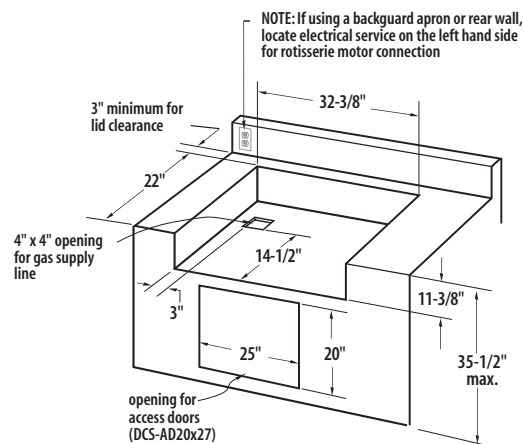
NOTE: Shown on optional grill cart.

Island Preparation:

Standard cut-out dimensions for non-combustible enclosure:



Insulated Jacket cut-out dimensions for combustible enclosure:



PERFECT HEAT.

For more information on our complete line of outdoor products or to find out more about our residential kitchen appliances, please call 1.800.433.8466 or visit www.dcsappliances.com

©2003 DCS 5800 Skylab Road, Huntington Beach, CA 92647

P/N 17603 REV. A 01/03